

ES3™ S8 Lamp Sockets

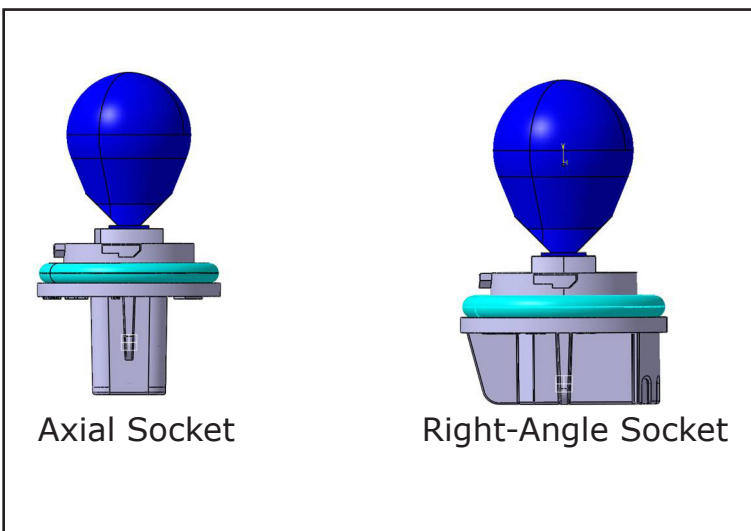


ES3™ Components provides multiple components and connection systems for the automotive exterior lighting market. ES3™ is the largest potted socket manufacturer in the world.

ES3™ offers a full line of S8 lamps sockets, comprised of axial and right-angle sockets. The robust design of ES3™ lamp sockets provide flexibility and a lower cost alternative to other lamp socket suppliers. Metal retention clips are added to all ES3™ S8 sockets, preventing bulb retention finger relaxation common to competitors plastic retention fingers.

All ES3™ lamp sockets and connection systems are tested to USCAR/EWCAP requirements. ES3™ S8 sockets are also tested in a certified A2LA accredited lab, dedicated to insuring the quality and performance of all components tested.

S8 Lamp Sockets Available:



S8 Lamp Socket Attributes

- Material specified to resist heat and outgasing
- Low profile, compact design
- Industry leader in bulb stability
- Ergonomic finger tabs for easy socket insertion
- Metal bulb retention clip
- Angled socket lead-in for easy socket insertion
- Robust, anti-crush terminal design
- Patented potted sealing process
- USCAR/EWCAP compliant
- Available in standard focal lengths and lug patterns

S8 Axial Lamp Socket Advantages

- Economical option over right angle and traditional sockets.
- Axial wire dress or right-angle wire dress option
- Superior bulb retention vs. other socket manufacturers

S8 Right-Angle Lamp Socket Advantages

- Ultra low profile design
- Superior bulb retention vs. other socket manufacturers

Visit us online at
www.es3components.com



TM

S8 Socket Technical Information

S8 Axial Sockets Available

| FOCAL LENGTH |
|--------------|
| 22.2 |
| 29.14 |

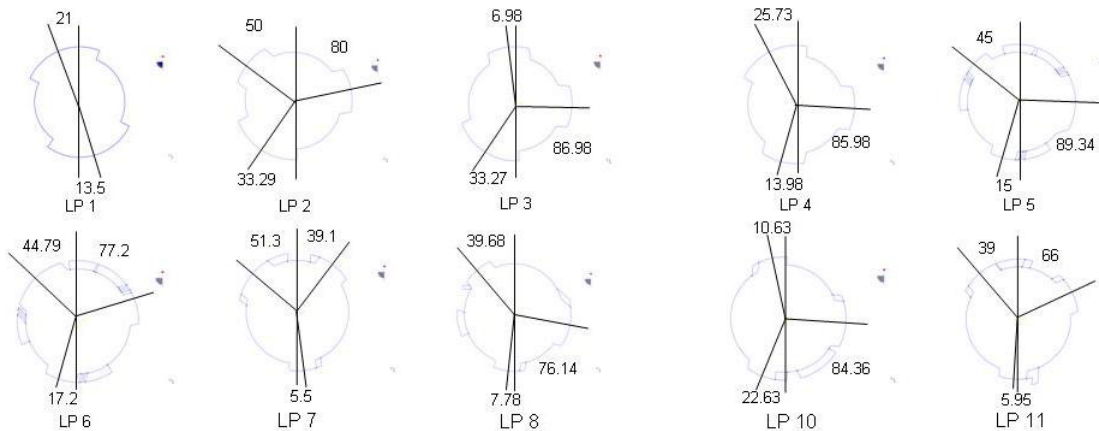
S8 Right Angle Sockets Available

| FOCAL LENGTH |
|--------------|
| 22.2 |
| 25.4 |
| 29.14 |
| 29.14 |
| 29.45 |
| 31.5 |
| 34.9 |

Bulb Key Options

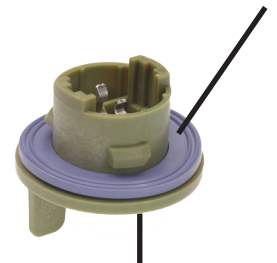


Lug Patterns (view of inside)



Focal Lengths Available in all Lug Patterns and Bulb Keys. Contact a sales representative to request a quote.

Multiple Seal Sizes Available to Accommodate a Variety of Panel Thicknesses



16 - 20 AWG Wire Type

Additional Products Available:

- Direct Connect Sockets
- Connection Systems
- Grommets/Clips/Seals

Direct Connects Only

Socket Part Numbering System

| Socket Type | Focal Length | Type | Orientation | Color | Material | Lug Pattern | Bulb Key | Latch Option | Connector Mate | Terminal Option | Revision |
|-------------|--------------|------|-------------|-------|----------|-------------|----------|--------------|----------------|-----------------|----------|
| S8 | 2540 | D | A | BK | 01 | 01 | 1 | T | 01 | A | 01 |

S8 = S8
T5 = T5 or T3
T20 = T20
BA = Bayonette

2085 = 20.85
2220 = 22.2
2540 = 25.4
2914 = 29.14
2945 = 29.45
3150 = 31.5
3490 = 34.9
3660 = 36.6

D = Direct Connect
P = Potted
W = Pig Tail

A = Axial
R = Right Angle

BK= Black
GY= Gray
GN= Green
NT= Natural

01 = GTX810 (Standard)
02 = NYLON 4, 6 (High Heat)
03 = LCP
04 = GRIVORY

01
02
03
04
05
06
07
08
09
10
11

1
2
3
*N/A for T5 & T3-1/4 Sockets

T = Top Latch
S = Side Latch

01 = EEM0340
02 = EEM0341
03 = EEM0342
04 = EEM0343
05 = 6189-0887

a = Major, Minor, & Ground
b = Major & Ground
c = Minor & Ground
**N/A for T5 & T3-1/4 Sockets

For 2 piece designs:
BKGY - Black body with Grey shell
GYBK - Gray body with Black shell
GYNT - Gray body with Natural shell
NTGY - Natural body with Gray shell

ES3™ Components

214 E. Maple Rd
Troy, MI 48083
Tel. 248-585-8130
Fax 248-585-3686

Alex Del Rio
Sales
Tel. 248-635-8969
adelrio@es3components.com

***Contact your ES3 representative for availability on colors, focal lengths and lug patterns.

Brad Lepczyk
Inside Sales
Tel. 248-585-8130
blepczyk@es3components.com

Pat Traynor
Sales
Tel. 248-709-3600
ptraynor@es3components.com

John Trembowicz
Sales
Tel. 248-705-0901
jtrembo@es3components.com

Mike Simonelli
Sales
Tel. 248-835-0516
msimonelli@es3components.com

